

# POD-TD

## Pneumatically operated level sensed condensate drain

### PRODUCT FEATURES

Designed specifically for compressed air applications where electricity is difficult to provide, the POD-TD level sensed condensate drain provides effective and efficient condensate removal, yet requires no electrical power.

A newly developed 3/2-way level controlled valve principle operates a direct cylinder valve, discharging the condensate automatically from your system. There is no unnecessary compressed air lost during this process.

The POD-TD meets the demand of virtually every application regardless of the condensate flow, covering compressed air systems up to 3500 CFM, including receiver tanks.



### COMMERCIAL BENEFITS

- Competitive 'true green' solution.
- No operating costs.
- No electricity required – install and go!
- Condensate viewing sight port optionally available.
- Operating pressure up to 230 PSI.
- Reduced stocking costs - 1 model covers 3500 CFM.
- Suitable for any type of compressed air system.
- No complicated sizing charts required.



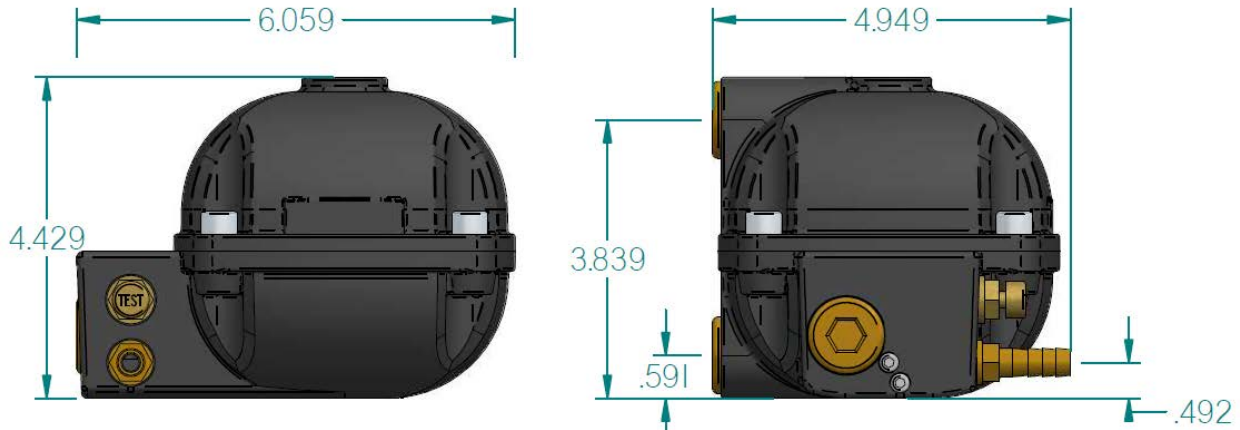
### TECHNICAL ADVANTAGES

- Compact and unique design.
- Successful draining of condensate due to large orifice (also heavily emulsified condensate).
- Incredibly easy and quick to install and to service.
- No complicated external control air balance line required.
- Integrated strainer.
- Top- and side inlets available.
- TEST feature.
- Robust aluminium housing.
- Direct acting valve construction for a reliable condensate discharge operation.

# POD-TD

**Pneumatically operated level sensed condensate drain**

## DIMENSIONS



## SPECIFICATIONS

Max. compressor capacity	3500 CFM.
Min./max. system pressure	44 / 230 PSI
Valve type	Direct acting
Valve orifice	6.0 mm
Valve seals	FPM
Inlet connection	1/2" NPT (3 inlet options)
Outlet connection	1/4"
Inlet height	4,7" (top), 3,8" (side top), 0,6" (side bottom)
Min. medium temperature	34 °F
Max. medium temperature	122 °F
IP rating	NEMA6 (IP68)
Serviceable valve	Yes
TEST feature	Yes
Condensate sight port	Yes
Integrated mesh strainer	Yes
Housing material	Corrosion resistant aluminium



Integrated strainer to protect the valve



Three inlet options for easy installation.



TEST button feature for routine testing.



Sight port optionally available.

Information provided herewith is believed to be accurate and reliable. However, no responsibility is assumed for its use or for any infringement of patents or rights of others, which may result from its use. In addition, the manufacturer reserves the right to revise information without notice and without incurring any obligation.

**JORC Industrial LLC**  
 1146 River Road  
 New Castle, DE 19720  
 USA

Tel +1 302-395-0310  
 Fax +1 302-395-0312  
 e-mail [info@jorc.com](mailto:info@jorc.com)  
 Web [www.jorc.com](http://www.jorc.com)